

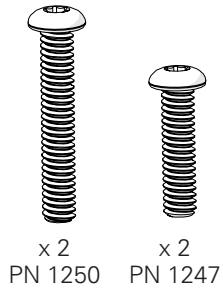
Tablet Mount Installation for Models C and D RowErgs



concept2.com 800.245.5676
info@concept2.com

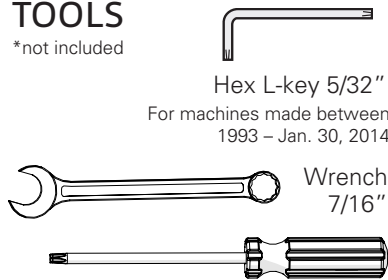
PARTS

*not to scale



TOOLS

*not included



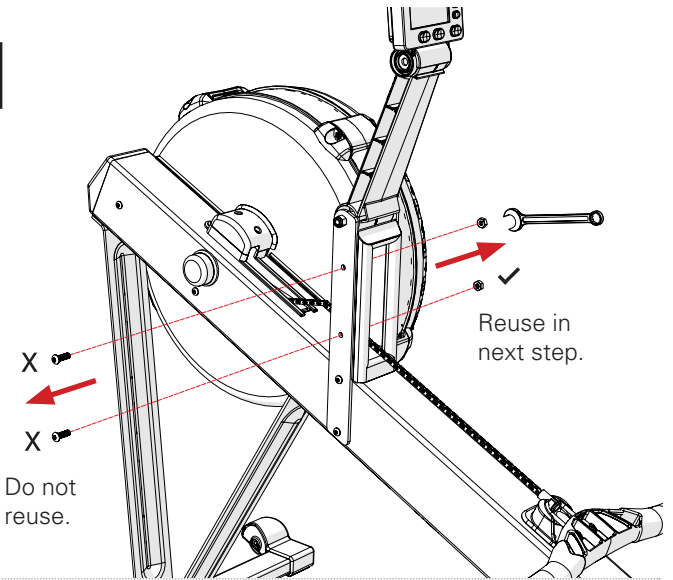
Hex L-key 5/32"

For machines made between
1993 – Jan. 30, 2014

Wrench
7/16"

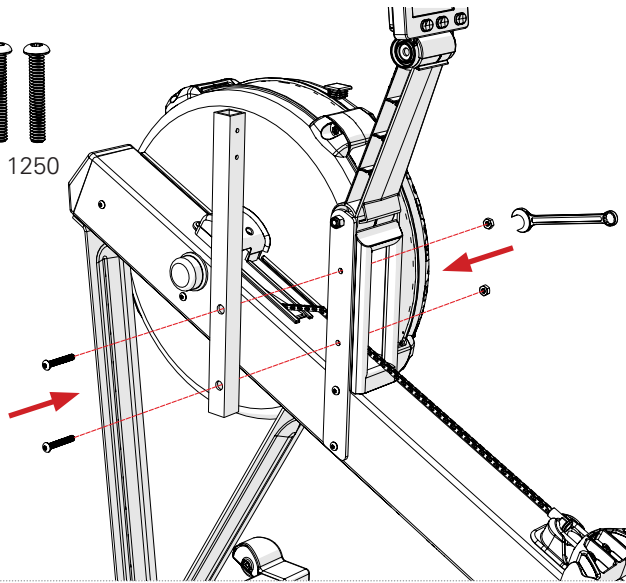
T27 6-Lobe Driver
(supplied with the RowErg
after Jan. 30, 2014)

1



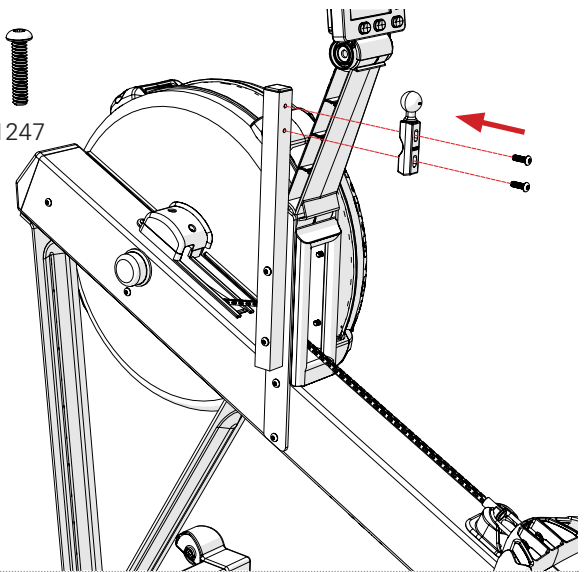
2

(2) PN 1250

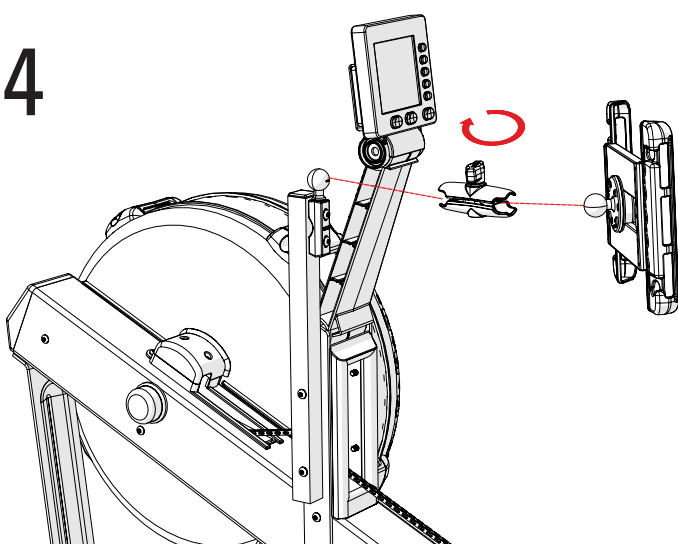


3

(2) PN 1247



4



5

