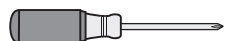


RETROFIT OR REPLACE PM4 ON MODEL B

10/06

TOOLS



to remove a PM1

(2) 7/16" (or 11mm)
to remove a PM2 or PM3



concept2.com



1a.



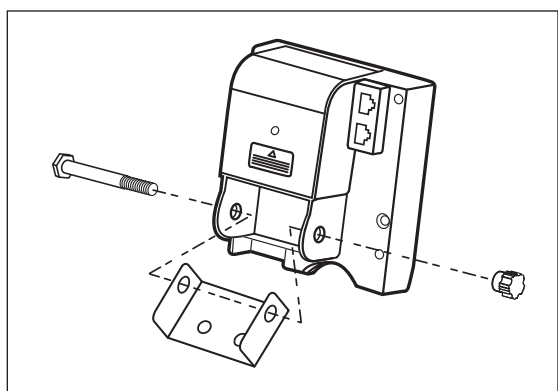
1b.



2.



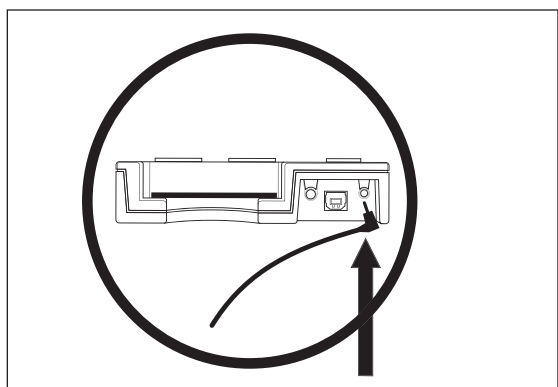
3.



4.



5.



6.

Note:

The PM4 has been factory-programmed to prevent possible battery drainage during shipping.

To restore power, perform ONE of the following procedures:

1. Insert and remove the LogCard into the PM4. A standard credit card will also work.
2. Plug in the pickup cable from your Indoor Rower and pull on the handle.

Troubleshooting: If your PM4 still fails to activate, use a pencil or a ball point pen and press into the hole on the back right side of the PM4. This will reset and activate your PM4.